

# 4K Starlight OmniView Network Camera

IPC8542ER5-DUP



## Key Features



## Optics

- Fifth-generation infrared technology, up to 50m (164ft) IR distance
- Starlight illumination
- Smart IR
- 2D/3D DNR (Digital Noise Reduction)
- 120dB true WDR
- Support a horizontal viewing angle of 180°

## Compression

- Ultra H.265, H.265, H.264, MJPEG
- Five streams
- Customized OSD
- 4096×1800@30fps supported

## Network

- ONVIF Conformance

## Structure

- AC/DC24V or PoE(IEEE 802.3at) power supply
- Wide voltage range of  $\pm 25\%$  in AC, 18V~48V in DC
- Micro SD, up to 256 GB
- Alarm 2 in and 1 out, Audio 1 in and 1 out
- IP67 ingress protection
- Support built-in fan & built-in heater

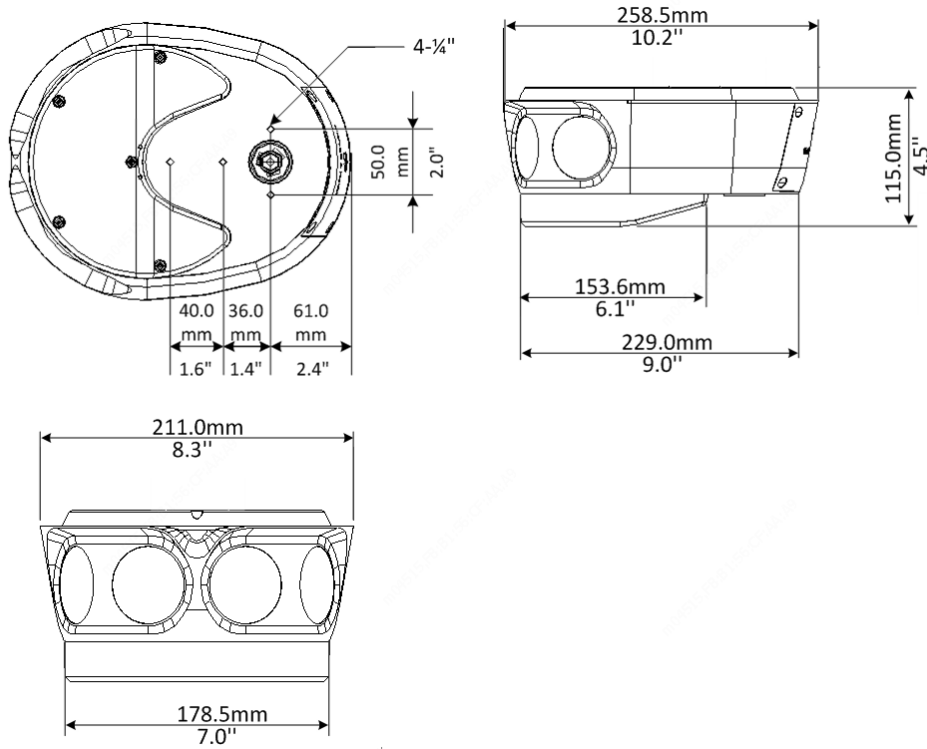
## Specifications

| IPC8542ER5-DUP    |   |                |              |                |              |
|-------------------|---|----------------|--------------|----------------|--------------|
| <b>Camera</b>     |   |                |              |                |              |
| Sensor            | 1/1.8" progressive scan, 2.0 megapixel, CMOS  |                |              |                |              |
| Lens              | 4x4.2mm lens  |                |              |                |              |
| Iris              | F1.8  |                |              |                |              |
| DORI Distance     | Lens (mm)   | Detect (m)     | Observe (m)  | Recognize (m)  | Identify (m) |
|                   | 4.2   | 50.4 (165.4ft) | 20.2(66.3ft) | 10.1(33.1ft)   | 5.0(16.4ft)  |
| Angle of View (H) | 180°  |                |              |                |              |
| Angle of View (V) | 80°   |                |              |                |              |
| Angle of View (O) | 221.4°  |                |              |                |              |
| Shutter           | Auto/Manual, shutter time: 1 s ~ 1/100000 s   |                |              |                |              |
| Adjustment angle  | Pan: -90°~90°   |                |              | Tilt: -45°~60° |              |
| Min. Illumination | Colour: 0.002lux (F1.8,AGC ON)<br>0lux with IR  |                |              |                |              |
| WDR               | 120dB   |                |              |                |              |
| Day/Night         | IR-cut filter with auto switch (ICR)  |                |              |                |              |
| S/N               | >52dB   |                |              |                |              |
| IR Range          | Up to 50m (164ft) IR range  |                |              |                |              |
| Wavelength        | 850nm   |                |              |                |              |
| IR On/Off Control | Auto/Manual   |                |              |                |              |
| Defog             | Digital Defog   |                |              |                |              |
| <b>Video</b>      |   |                |              |                |              |
| Video Compression | Ultra 265, H.265, H.264, MJPEG  |                |              |                |              |
| Frame Rate        | Main Stream: 4096x1800:Max. 30 fps;<br>Sub Stream: 1920x832:Max. 30 fps;<br>Third Stream: 1280x560: Max. 30 fps;<br>Fourth Stream: 1280x560: Max. 30 fps;<br>Fifth Stream: 1280x560: Max. 30 fps; |                |              |                |              |
| Video Bit Rate    | 128 Kbps~16 Mbps  |                |              |                |              |
| ROI               | Supported   |                |              |                |              |
| Video stream      | Five streams  |                |              |                |              |
| OSD               | Up to 8 OSDs  |                |              |                |              |
| Privacy Mask      | Up to 8 areas(8 blacks/8 mosaics)   |                |              |                |              |
| <b>Image</b>      |   |                |              |                |              |

|                                    |  |
|------------------------------------|--|
| White Balance                      | Auto/Outdoor/Fine Tune/Sodium Lamp/Locked/Auto2  |
| Digital noise reduction            | 2D/3D DNR  |
| Smart IR                           | Support  |
| Flip                               | Normal/Flip Vertical/Flip Horizontal/180°/90°Clockwise/90°Anti-clockwise   |
| HLC                                | Support  |
| BLC                                | Support  |
| <b>Smart</b>                       |  |
| Behavior Detection                 | Line crossing detection, Intrusion detection, Motion detection   |
| Master-slave linkage               | Auto/manual  |
| Exception Detection And Statistics | Object Moving, Object Left, Defocus, Scene Change  |
| Recognition                        | Audio detection  |
| Statistical Analysis               | People counting  |
| General Function                   | Watermark, IP Address Filtering, Tampering Alarm, Alarm input, Alarm output, Access Policy, ARP Protection, RTSP Authentication, User Authentication |
| <b>Audio</b>                       |  |
| Audio Compression                  | G.711U, G.711A   |
| Two-way Audio                      | Supported  |
| Suppression                        | Supported  |
| Sampling Rate                      | 8KHZ   |
| <b>Storage</b>                     |  |
| Edge Storage                       | Micro SD, up to 256 GB   |
| Network Storage                    | ANR,NAS(NFS)   |
| <b>Network</b>                     |  |
| Protocols                          | IPv4, IPv6, IGMP, ICMP, ARP, TCP, UDP, DHCP, PPPoE, RTP, RTSP, RTCP, DNS, DDNS, NTP, FTP, UPnP, HTTP, HTTPS, SMTP, 802.1x, SNMP, QoS, RTMP           |
| Compatible Integration             | ONVIF (Profile S, Profile G, Profile T), API   |
| Client                             | EZStation<br>EZLive<br>Ezview  |
| Web Browser                        | Plug-in required live view: IE9+, Chrome 41 and below, Firefox 52 and below  |
| <b>Interface</b>                   |  |
| Audio I/O                          | Audio cable  |
|                                    | 1 Input: impedance 35kΩ; amplitude 2V [p-p]  |
|                                    | 1 output: impedance 600Ω; amplitude 2V [p-p]   |
| Alarm I/O                          | 2/1  |
| Network                            | 2*10M/100M/1000M Base-TX Ethernet  |
| <b>Certification</b>               |  |
| Certifications                     | CE: EN 60950-1<br>UL: UL 60950-1<br>FCC: FCC Part 15   |
| <b>General</b>                     |  |
| Power                              | AC24V±25%/DC24V support 18V-48V, PoE(IEEE 802.3at)   |
|                                    | Power consumption: Max 24W   |
| Dimensions (∅ x H)                 | 259mmx211mmx115mm(10.2"×8.3"×4.5")   |
| Weight                             | 2.38kg(5.25lb)   |
| Working Environment                | -40°C ~ +70°C (-40°F ~ 158°F), Humidity: ≤95%RH RH(non-condensing)   |

|                     |  |
|---------------------|--|
| Storage Environment | -40°C ~ +70°C (-40°F ~ 158°F), Humidity: ≤95%RH RH(non-condensing) |
| surge protection    | 6KV  |
| Ingress Protection  | IP67   |

## Dimensions

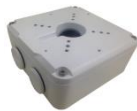


## Accessories

TR-WE45-D-IN



TR-JB07-D-IN



TR-CM06-C-IN



TR-UV06-C-IN

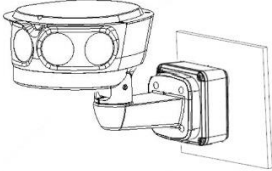
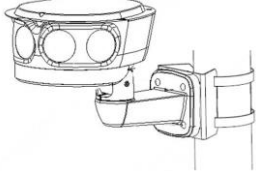
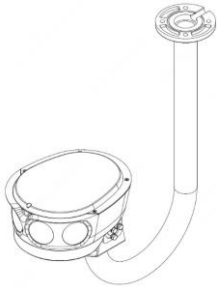
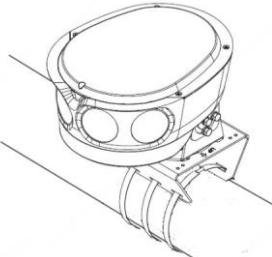


TR-UP06-IN



TR-UP06-B-IN



| Junction Mount   | Pole Mount   |
|--|--|
| TR-WE45-D-IN + TR-JB07-D-IN  | TR-WE45-D-IN + TR-UP06-B-IN  |
|   |   |
| Pendent mount  | Rail mount   |
| TR-CM06-C-IN   | TR-UV06-C-IN+ TR-UP06-IN   |
|  |  |

**Zhejiang Uniview Technologies Co., Ltd.**

Building No.10, Wanlun Science Park, Jiangling Road 88, Binjiang District, Hangzhou, Zhejiang, China (310051)

 Email: [overseasbusiness@uniview.com](mailto:overseasbusiness@uniview.com); [globalsupport@uniview.com](mailto:globalsupport@uniview.com)
<http://www.uniview.com>

©2020 Zhejiang Uniview Technologies Co., Ltd. All rights reserved.

\*Product specifications and availability are subject to change without notice